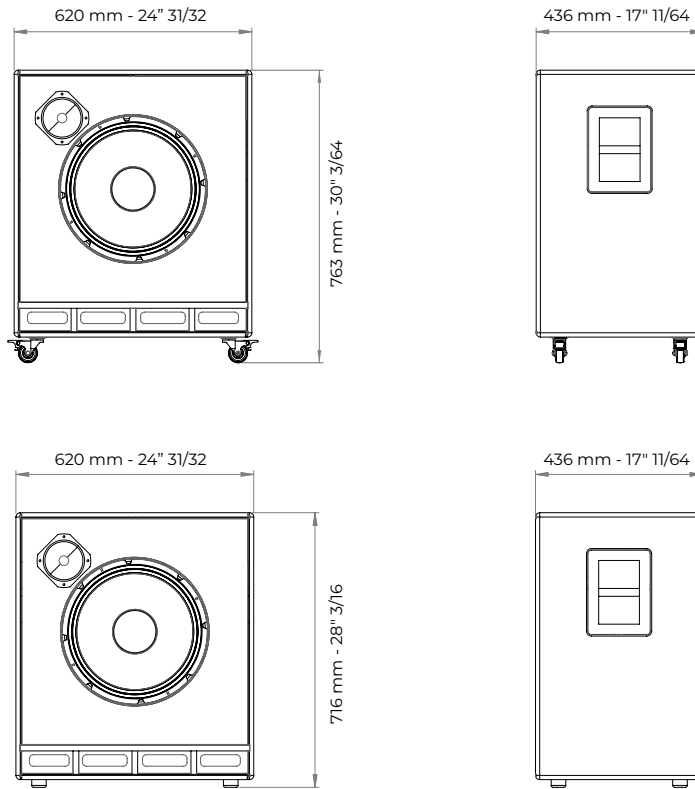


115 FLEXY



System:	front ported, Para-Onken design
Cabinet Material:	Baltic birch baffle, light-weight plywood shell and reinforcement internal "ribs" structure
Cabinet Covering:	multiple options, customer configurable
Speaker units:	1x custom - in house designed - 15" neo magnet speakers with ventilated basket: the Trespass Audio TAS 2515 + 1x constant directivity horn loaded 1.7" neo magnet compression driver, polyamide diaphragm
Power Handling:	300 Watt AES – 600 Watt program power
Frequency Response:	28 Hz – 18 kHz
Sensitivity:	96 dB 1m 1W
Crossover:	TONE WIZARD technology, incorporating multiple custom phase-coherent crossovers, allowing 4 different tone configurations. Variable tweeter level control. DAMP circuit allowing to electrically manage the speakers' excursion
Impedance:	8 ohm
Input/output:	1x metal housing speakON input / 1x metal housing speakON chain output
Dimensions:	620 mm x 716 mm x 436 mm / 24" 31/32 x 28" 3/16 x 17" 11/64 (WxHxD) with rubber feet; 620 mm x 763 mm x 436 mm / 24" 31/32 x 30" 3/64 x 17" 11/64 (WxHxD) with optional casters
Weight:	30,5 - 32,5 Kg / 67 - 72 lbs