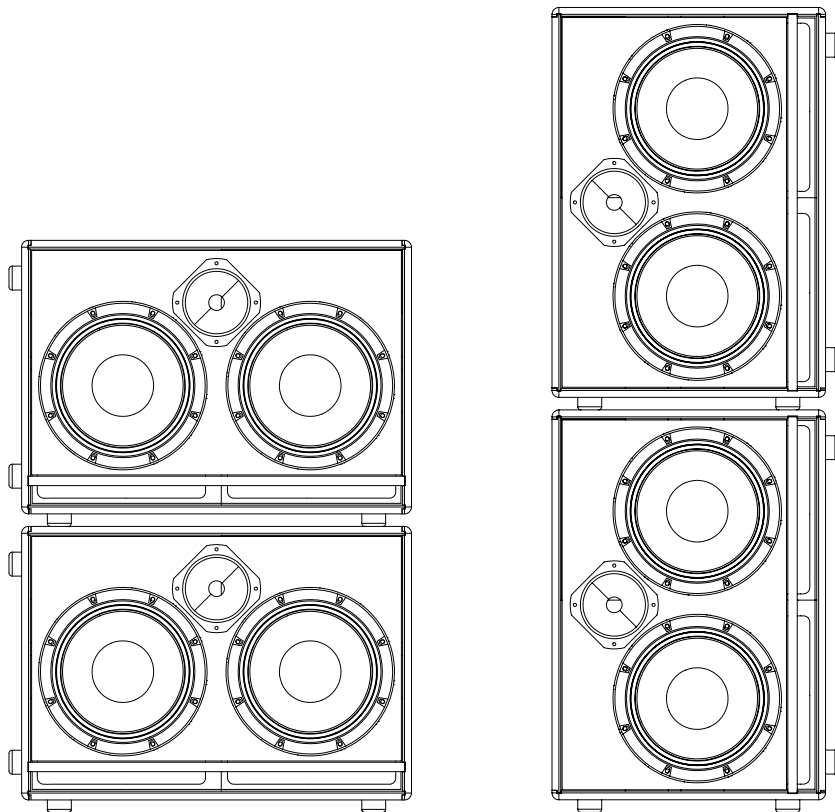


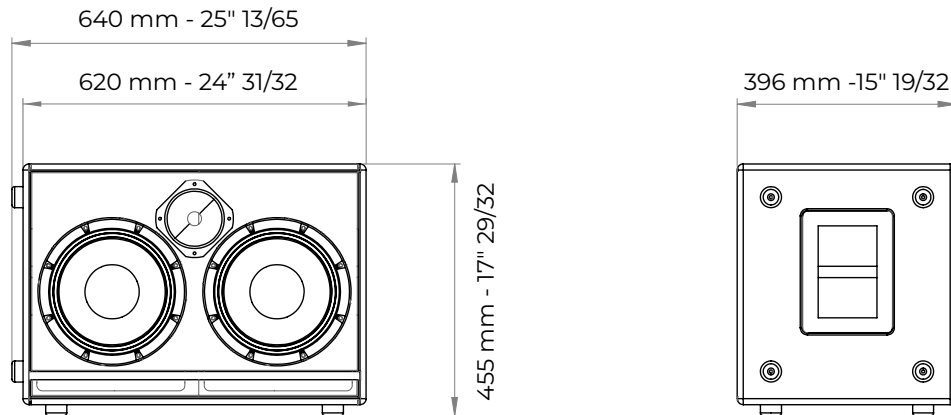
Trespass Audio[®]

BUILT TO LAST

210 MODULAR FLEXY



210 FLEXY



System:	front ported, Para-Onken design
Cabinet Material:	Baltic birch baffle, light-weight plywood shell and reinforcement internal "ribs" structure
Cabinet Covering:	multiple options, customer configurable
Speaker units:	2x custom - in house designed - 10" neo magnet speakers with ventilated basket: the Trespass Audio TAS 2510 + 1x constant directivity horn loaded 1.7" neo magnet compression driver, polyamide diaphragm
Power Handling:	600 Watt AES – 1200 Watt program power
Frequency Response:	42 Hz – 18 kHz
Sensitivity:	96 dB 1m 1W
Crossover:	TONE WIZARD technology, incorporating multiple custom phase-coherent crossovers, allowing 4 different tone configurations. Variable tweeter level control. DAMP circuit allowing to electrically manage the speakers' excursion
Impedance:	8 ohm
Input/output:	1x metal housing speakON input / 1x metal housing speakON chain output
Dimensions:	640 mm x 455 mm x 396 mm / 25" 13/65 x 17" 29/32 x 15" 19/32 (WxHxD)
Weight:	22,5 - 24,5 Kg / 49 ½ - 54 lbs