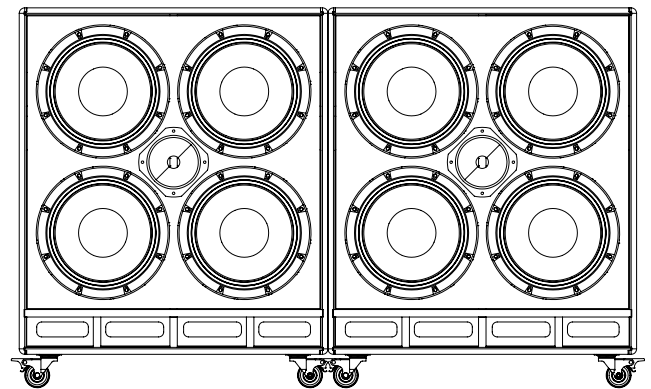
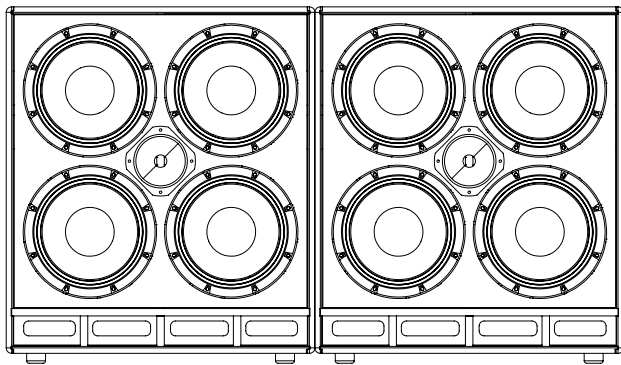
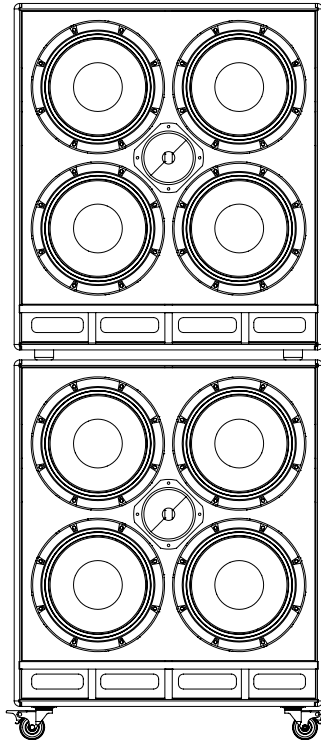
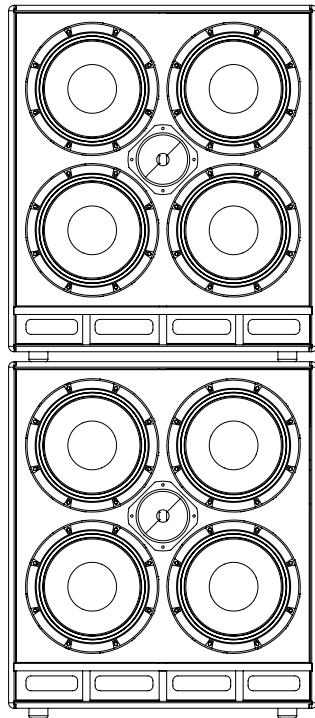


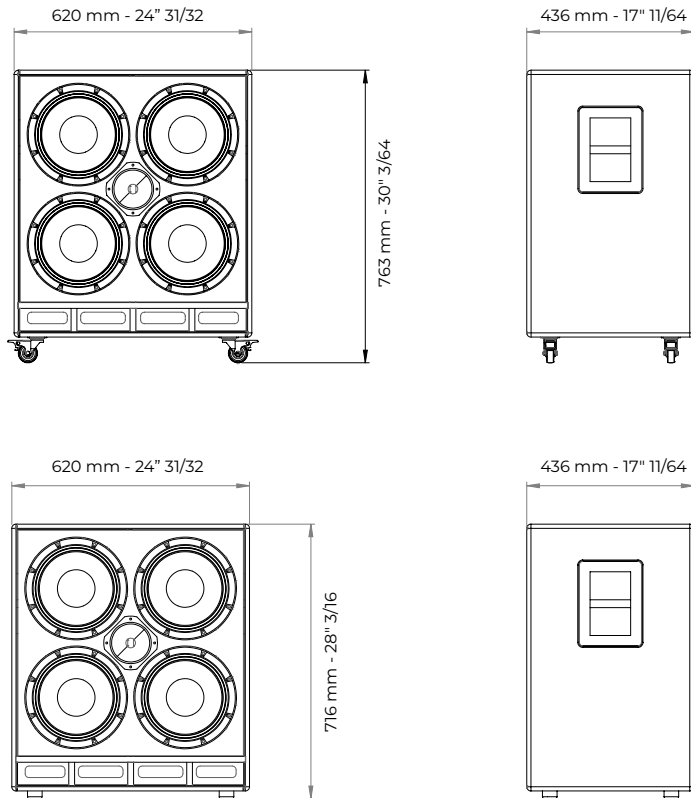
*Trespas Audio*<sup>®</sup>

BUILT TO LAST

## 410 MODULAR FLEXY



## 410 FLEXY



<b>System:</b>	front ported, Para-Onken design
<b>Cabinet Material:</b>	Baltic birch baffle, light-weight plywood shell and reinforcement internal "ribs" structure
<b>Cabinet Covering:</b>	multiple options, customer configurable
<b>Speaker units:</b>	4x custom - in house designed - 10" neo magnet speakers with ventilated basket: the Trespass Audio TAS 2510 + 1x constant directivity horn loaded 1.7" neo magnet compression driver, polyamide diaphragm
<b>Power Handling:</b>	1200 Watt AES – 2400 Watt program power
<b>Frequency Response:</b>	40 Hz – 18 kHz
<b>Sensitivity:</b>	102 dB 1m 1W
<b>Crossover:</b>	TONE WIZARD technology, incorporating multiple custom phase-coherent crossovers, allowing 4 different tone configurations. Variable tweeter level control. DAMP circuit allowing to electrically manage the speakers' excursion
<b>Impedance:</b>	4 or 8 ohm
<b>Input/output:</b>	1x metal housing speakON input / 1x metal housing speakON chain output
<b>Dimensions:</b>	620 mm x 716 mm x 436 mm / 24" 31/32 x 28" 3/16 x 17" 11/64 (WxHxD) with rubber feet; 620 mm x 763 mm x 436 mm / 24" 31/32 x 30" 3/64 x 17" 11/64 (WxHxD) with optional casters
<b>Weight:</b>	36,5 - 38,5 Kg / 80 - 85 lbs